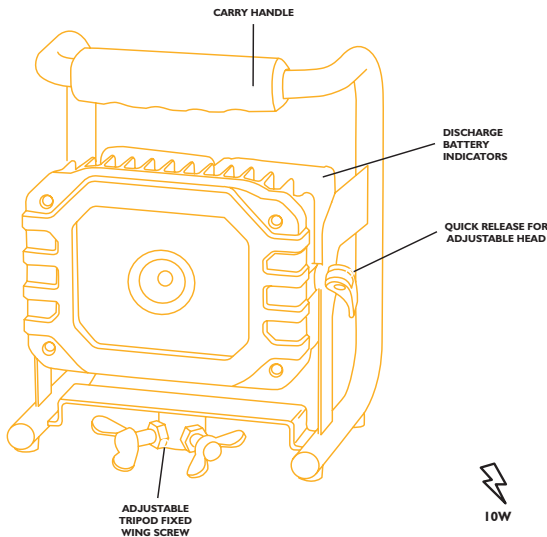


# 10W LED RECHARGEABLE POWER LIGHT



## JCB-PL10 Technical Specification

Input Voltage: 100-240V, 50Hz

Power: 10W

Material: Iron Stand, Aluminium Alloy & Rubber Coating Head, PC Lens, 4mm Tempered Glass

LED: 1 x 1616 COB Chip

CRI: 70Ra

Power Factor: 0.9

Colour Temperature: 6500K

IK Rating: IK09

Life Expectancy: 20,000 hrs

Working Temperature: -10°C - 40°C

Battery: 2 x 7.4V 4.4Ah

Charge Time: 3-4 hours / battery

PCB Protection: Charging Protection / Discharging Protection

Battery Indicator: 5 Level Indicator - Green/Green/Green/Amber/Red

Dimensions: L184 x W156 x H224mm

Charger: 12V, 1A

Weight: 1.9Kg



10W



800 LUMENS



60° BEAM ANGLE



IP65



5-6/10-11 HRS RUN TIME 1/2 BATTERIES

